

IN THIS ISSUE[SolidCAM 2009 SP1 released](#)[Webinars about High-Speed Surface Machining \(HSS\)](#)[Avigdor David succeeds with the HSS module](#)[SolidCAM exhibited at the Intec 2009 show](#)

In June, we released SolidCAM 2009 SP1 to our customers. SolidCAM 2009 is a major significant release of SolidCAM and has more than 100 new features. In this Newsletter we will discuss two of the important features in SolidCAM 2009:

- Enhanced **High-Speed Surface Machining** (see articles below)
- New "**SolidVerify for 3D**" simulation option

"SolidVerify for 3D" has been developed to enable fast verification of 3D Milling and HSM operations. Whereas the standard "SolidVerify" option works with a facet representation of the model and tool, the new option creates a very accurate model of the machined stock by storing the analytical definitions of all surfaces that are created during machining. As a result, the verification is not only much faster, but the visualization is also more accurate, especially at close zooming.

Dear reader, we would appreciate, if you could use the summer time to have a closer look at our new version SolidCAM2009 SP1.

Emil Somekh
Managing Director
SolidCAM Ltd.

• Webinars about High-Speed Surface Machining (HSS)

In SolidCAM2009, a number of new High Speed Surface Machining ("HSS") sub-operations, dedicated for specific HSS machining tasks, have been added. The HSS module provides smooth and powerful Machining of localized surface areas in the part including undercuts. It provides nine toolpath strategies that produce an efficient, smooth, gouge-free and optimal toolpath to finish the selected surfaces.



The HSS module is an important addition to the integrated *SolidCAM+SolidWorks* solution and is essential for any manufacturer as an excellent add-on for the machining of all types of parts. In order to highlight the benefits of the HSS module, we offer now **FREE Webinars**, where we demonstrate the machining of real parts with SolidCAM HSS within one hour. The webinars will take place as follows:

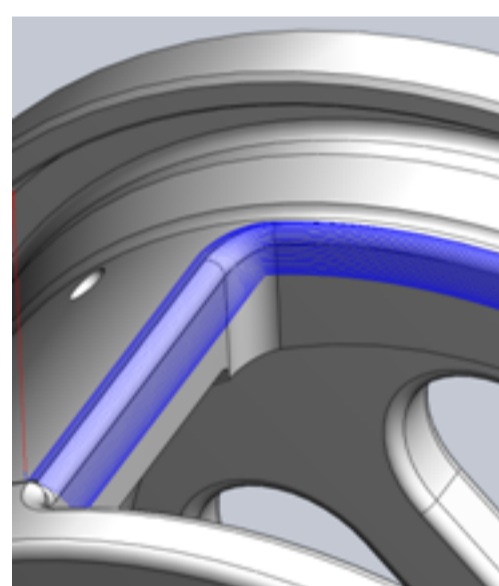
- **August, 5, 11:00 am EDT (GMT-4) for Americas**
- **August, 6, 3:00 pm SGT (GMT+8) for Asia**
- **August, 13, 11:00 am CET (GMT+1) for Europe**

If you want to participate in one of the webinars, please send an email to webinar@solidcam.com. Participants of the webinars will also have the opportunity to attend an additional FREE web-based training session about SolidCAM HSS. Furthermore, we offer them a 1-month trial license via our local resellers, so that you can see the results of HSS cutting on your own CNC machine tool.

[See video tutorials about HSS...](#)

• Avigdor David succeeds with the HSS module

Avigdor David Ltd from Haifa supplies machining solutions for the defense, medical and electronic industries. Using the Bundle solution *SolidCAM 2009 + SolidWorks 2009* for Design and Manufacturing, the company has recently added the HSS module as a powerful complement for their 2.5D Mill and HSM modules. The HSS module enables the smooth machining of fillets, specific surface areas and undercuts.



Florin Eugen Obreja, Manager of the CAD/CAM department, explains the benefits: "The HSS module is easy to learn and to use, especially since we just have to pick the surface to be machined, with no need to define the boundaries. The various strategies available in HSS, especially the Morph between Curves and Morph between Surfaces, enable us to finish the machining of any prismatic or 3D part in the best way. The HSS module enables the full control of the toolpath and the linking moves to generate efficiently a smooth surface finish. In addition the extensive gouge control options of the HSS module provide safe machining, taking into account the tool, its holder and adjacent surfaces. The benefit of the HSS module to our machine shop has been tremendous compared to its cost".

• SolidCAM exhibited at the Intec 2009 show

From July 2 - 7, 2009, the INTEC 2009 exhibition took place in Coimbatore (India). With more than 500 exhibitors, INTEC is one of the leading trade shows for Advanced Manufacturing in India. Highlights are Machine Tools, Precision and Cutting Tools, Dies & Moulds, Instrumentation and Automation as well as Software solutions for Manufacturing.

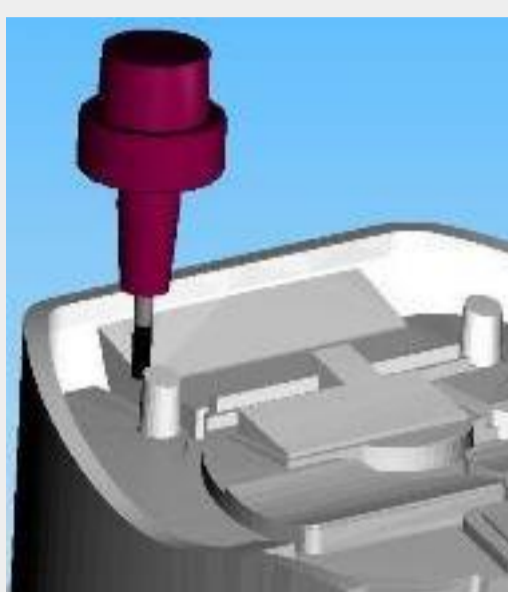


In Hall A, Booth Nr. 39, SolidCAM India demonstrated the 2009 versions of the combined solution *SolidCAM+ SolidWorks*. The photo shows the team of SolidCAM India, from left to right: *Nuthi Vivek* (Product Manager), *Arun Kumar* (Sales Director) and *Amod Onkar* (Country Manager). Amod Onkar states: "Visitors have been impressed by the more than 100 new features, we have implemented in the version SolidCAM 2009. The combination of

- Seamless integration in the leading 3D CAD platforms and a
- Wide range of powerful CAM functions

is the key for high-quality and cost-effective parts manufacturing. We have been very pleased with the number of new potential customers, including many for our Simultaneous 5 axis technology, that we generated at the INTEC 2009. Unlike in the traditional manufacturing countries, the industry in India is still growing in the range of more than 5%."

[Read article about the worldwide trend in the manufacturing industry....](#)

SolidCAM 2009 SP1 released

SolidCAM 2009 SP1 includes an enhanced option "**SolidVerify for 3D**" to enable a significantly faster simulation. For an HSM part of average complexity, the simulation will be more than 4 times faster compared to the standard "**SolidVerify**" option.

SolidCAM infos

- [Watch "What's new in SolidCAM2009" videos...](#)
- [Download "What's new in SolidCAM2009" book...](#)
- [Download "What's new in SolidCAM2009" presentation...](#)
- [Order free Demo CD](#)